

DMX512

Decoder Series



CE RoHS

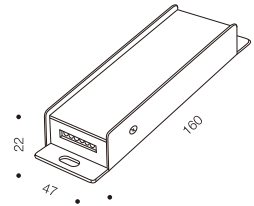
Specifications

Model:	DE8035		
Input:	DC12-24V	Max output Power:	240W(12V)/480W(24V)
Max current Load:	5A*4CH Max 20A	Signal Input:	DMX512/1990
Control channels:	4CH	The light gray level:	256
Protection Grade:	IP20	DMX512/PWM Socket:	Screwless terminal
Gross Weight:	220g	Work Temp.:	-30°C~70°C

Basic Features

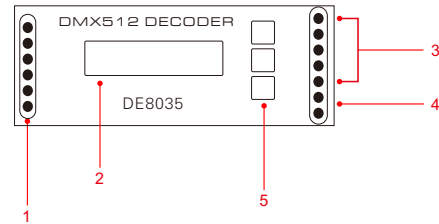
- Follow DMX 512 / 1990 protocol.
- 4 output channels, single channel maximum 5A output drive, total output is less than 20A.
- Can achieve asynchronous color changes effect under working with controller.
- With the LCD1602 screen to show the menu.
- Modularizing and can be matched with different LED module neatly.

Dimensions



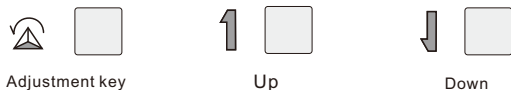
Unit: mm

Component Diagram



1. DMX Signal IN/OUT
2. LCD1602 Screen
3. LED lamps Connection Socket
4. Power Input Socket
5. Adjust key

Product Operation



Press "Adjustment key", switch entries.
 Press "Up" or "Down" key, parameter adjustment.
 Long press "Adjustment" key, back to main page.

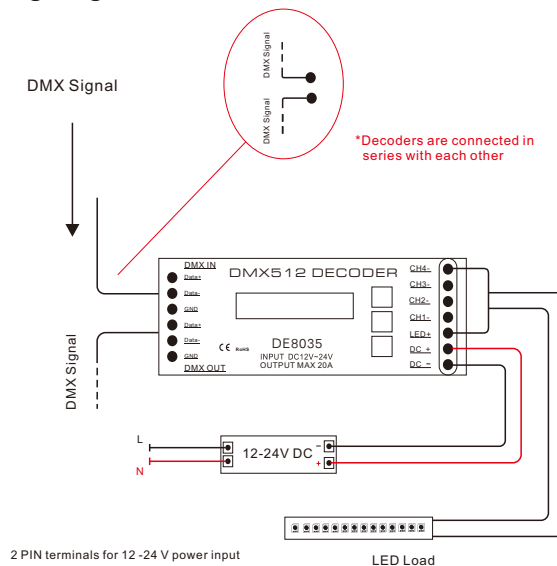
Product panel instructions, through the LCD screen show content, by button menu options, adjust the address code and internal program.
 When press Adjustment key move the DMX512 external control and internal dimming light program menu Setting address and adjusting the brightness can press Up Down to adjust.

5 PIN driver output interface (of anode output driver, with a LED +, 4 channels CH1-, CH2-and CH3-,CH4-output interface)

Self - test program

DMX address value is set to the address of 000,
 RGB is fully lit and output in 3 seconds after the RGB jump cycle.

Wiring diagram



2 PIN terminals for 12-24 V power input (supply the power for decoder itself and decoder with lamps).

*DMX5000 output and DE8035's transmission lines can't be over 300 meters.
 *DMX5000 each interface can with not more than 170 pieces of DE8035. Eight output interface. Through the JBLEED FLASH light making software and can with computer on line control. Realize infinite contact the DMX lights.
 *When connected 32 pieces of DE8035, DMX signal must add a signal amplifier RE2000 cascade can't more than 4 PCS.

Suitable lamps and lanterns

